



ENTRUST

Quick Install Guide

Entrust Artista® CR825 Instant Financial Issuance System

October 2022
527749-001EN, Rev K

WARNING: This product contains chemicals, including lead, known to the State of California to cause cancer, and birth defects or other reproductive harm.

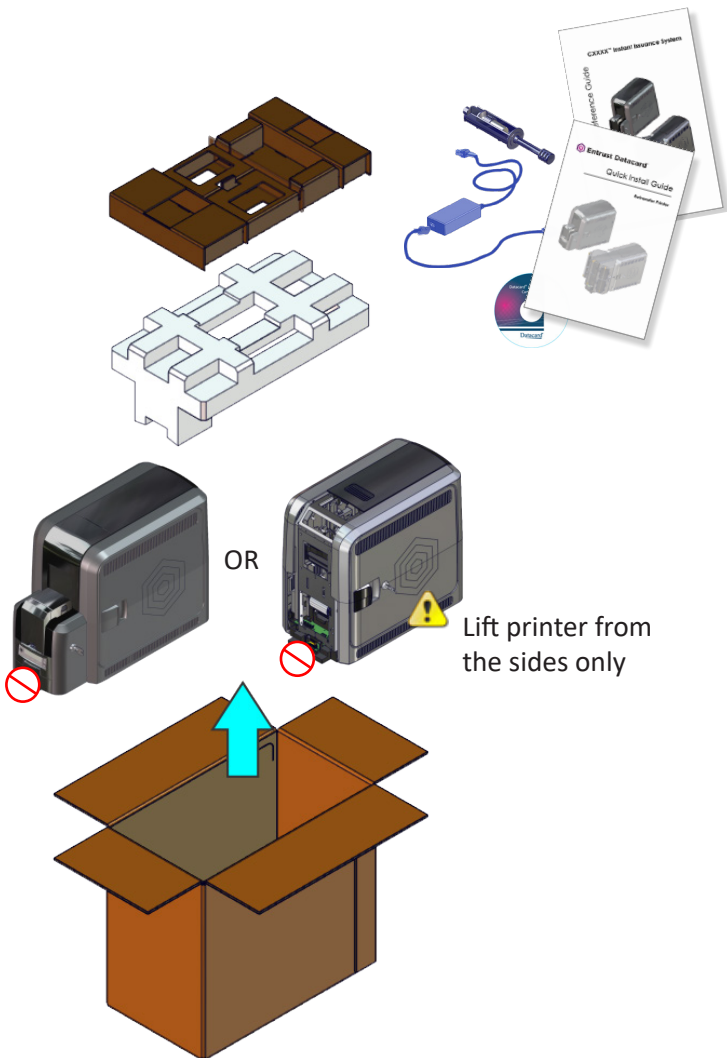
Wash hands after handling.



WARNING: This product can expose you to chemicals including Di(2-ethylhexyl)phthalate (DEHP), which is known to the State of California to cause cancer, and Di(2-ethylhexyl)phthalate (DEHP) and Butyl benzyl phthalate (BBP), which are known to the State of California to cause birth defects or other reproductive harm. For more information, go to www.P65Warnings.ca.gov and www.datacard.com/califpropwarning.

For detailed installation instructions, refer to the *Artista CR825 and CE875 Instant Issuance System Installation and Administrator's Guide*.

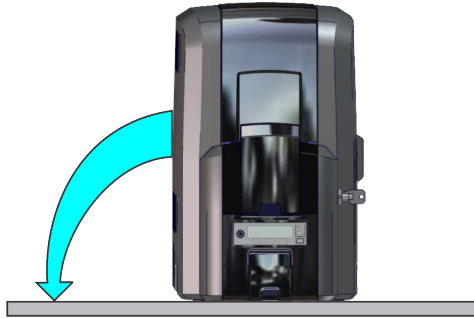
1 **Unpack the Printer**



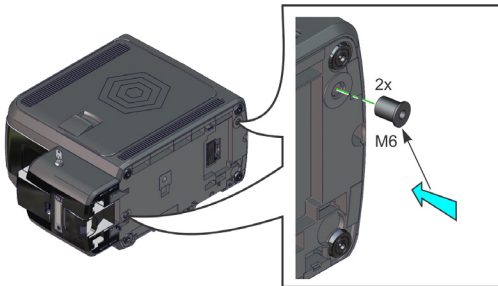
CR825 Instant Issuance System

2 Secure the Printer (Optional)

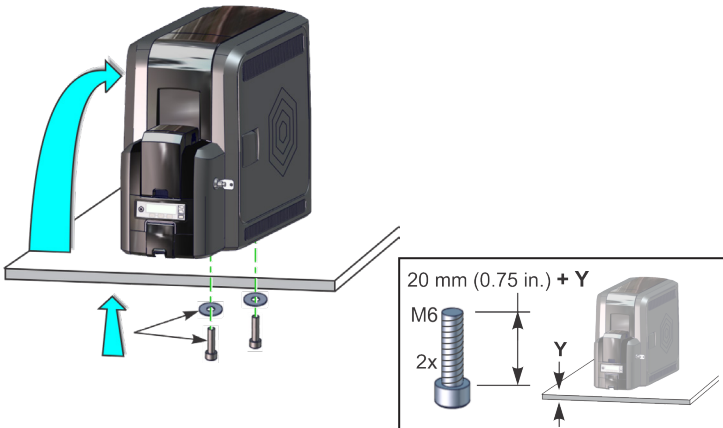
a



b

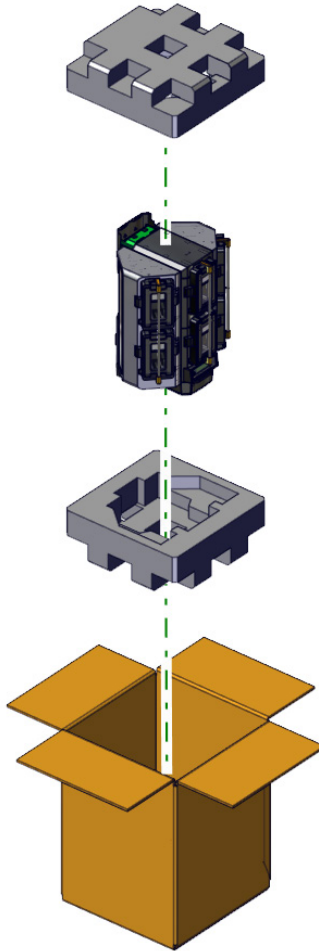


c



3 Install the Optional Multi-Hopper

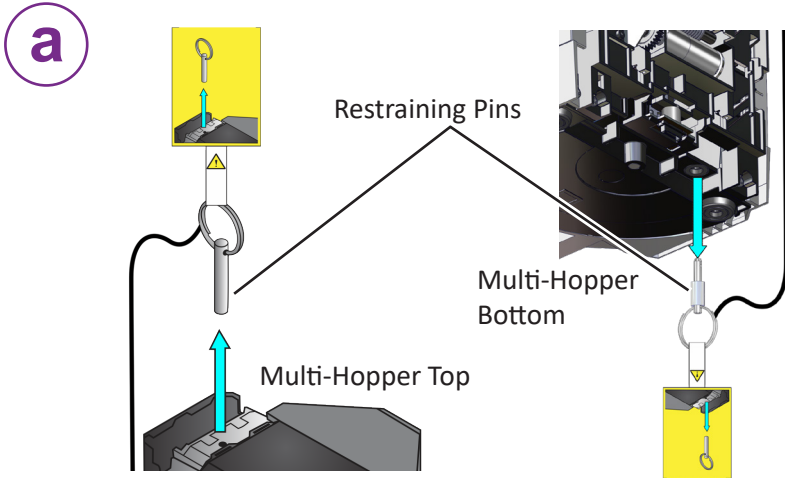
1. Unpack the multi-hopper



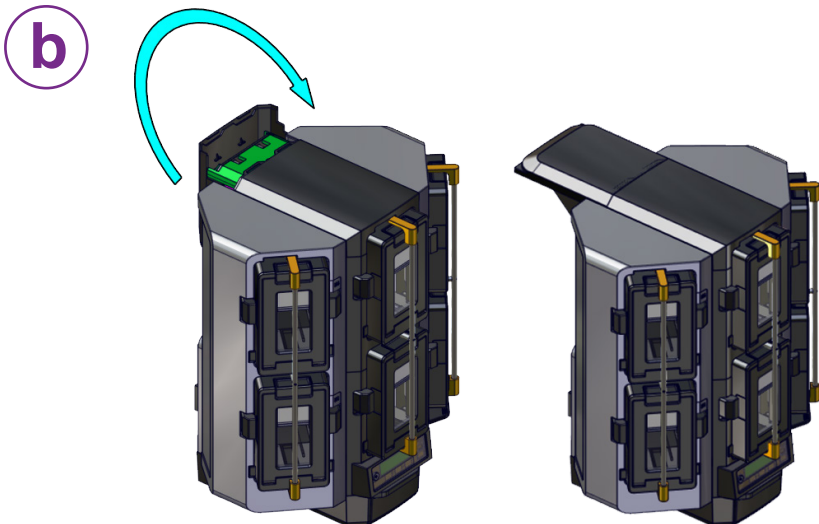
CR825 Instant Issuance System

Install the Optional Multi-Hopper (cont.)

2. Prepare the multi-hopper

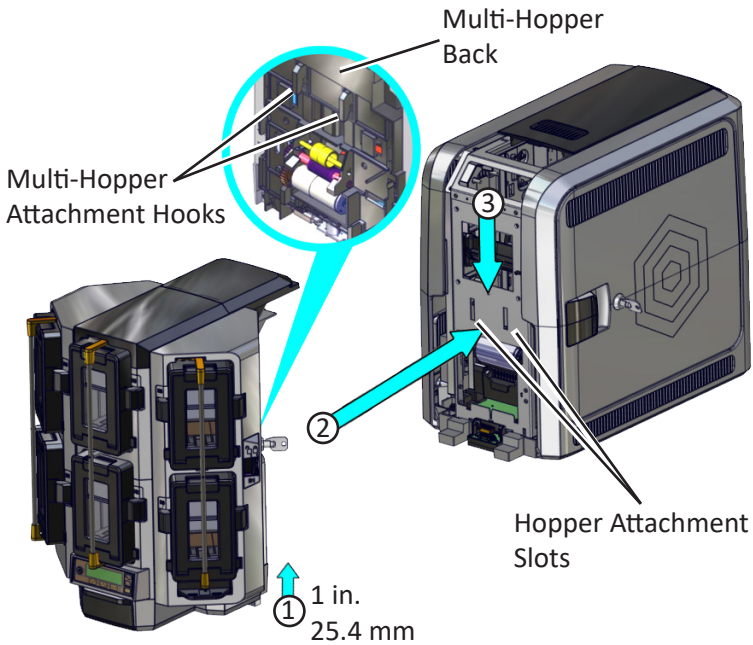


Save the restraining pins after removing them from the multi-hopper. They are required if you need to repackage and return the multi-hopper for service.



Install the Optional Multi-Hopper (cont.)

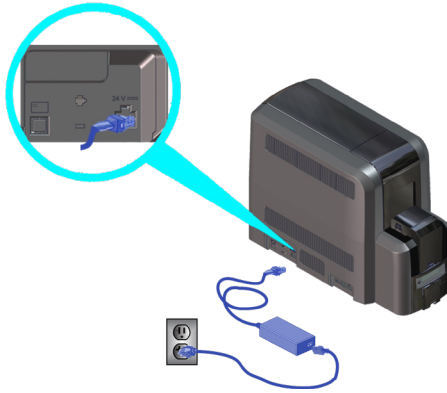
3. Assemble the multi-hopper printer



CR825 Instant Issuance System

4 Plug In and Power On the Printer

a



b



5 Clean the Printer

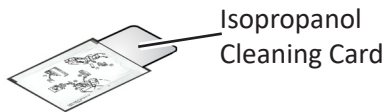
Remove the isopropanol cleaning card from the ink ribbon package. Continue with:

“Single-Hopper Printer” –OR–
“Multi-Hopper Printer” on page 8



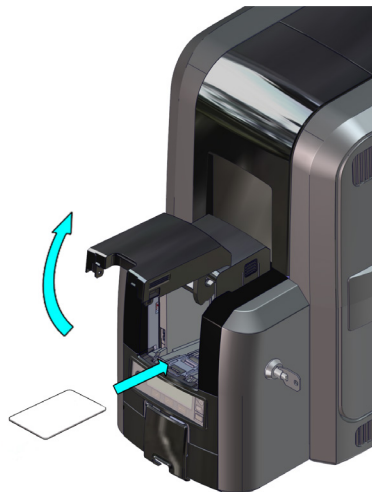
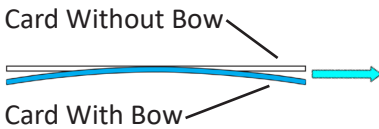
Single-Hopper Printer

- a** Remove the cleaning card from its package.



- b** Load the cleaning card in the input hopper.

If the cleaning card appears bowed, insert it as shown.



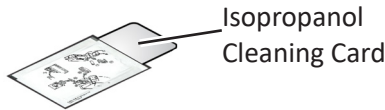
- c** Continue with “Start the Cleaning Cycle” on page 9.

CR825 Instant Issuance System

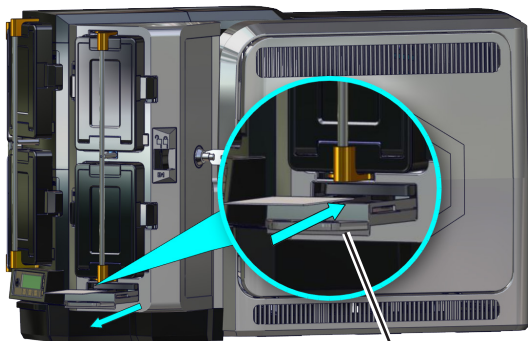
Clean the Printer (cont.)

Multi-Hopper Printer

- a** Remove the cleaning card from its package.

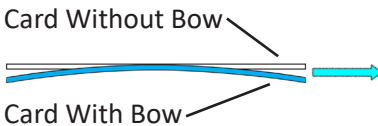


- b**
1. Pull out the multi-hopper exception slide and insert the cleaning card.
 2. Push in the exception slide.



If the cleaning card appears bowed, insert it as shown.

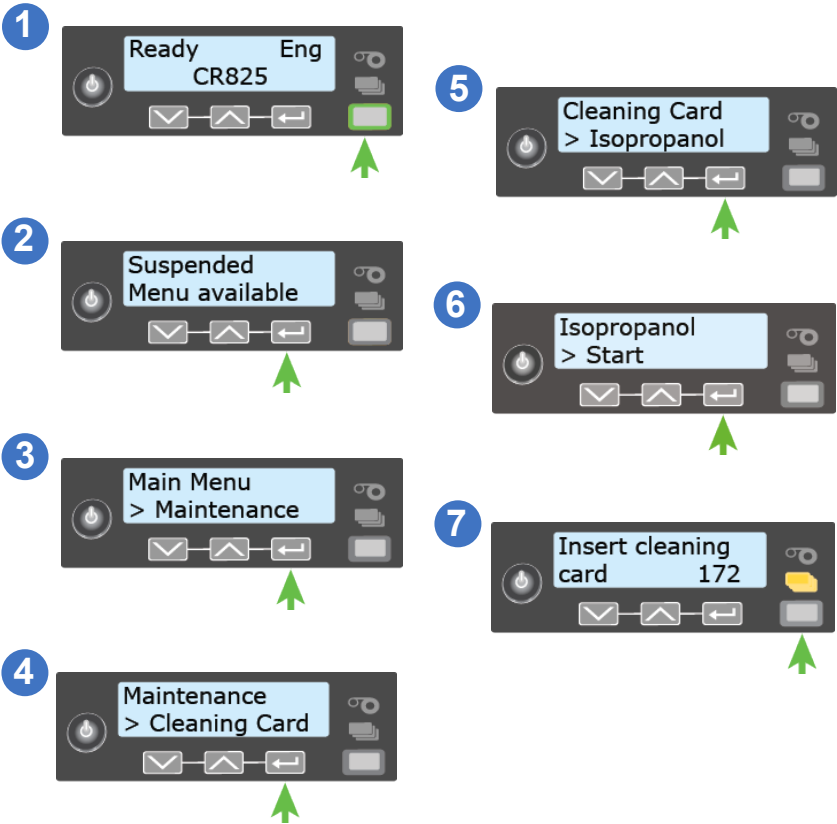
Exception Slide



- c** Continue with “Start the Cleaning Cycle” on page 9.

Clean the Printer (cont.)

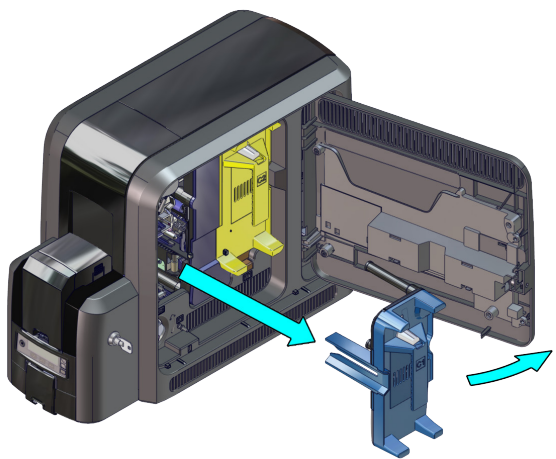
Start the Cleaning Cycle



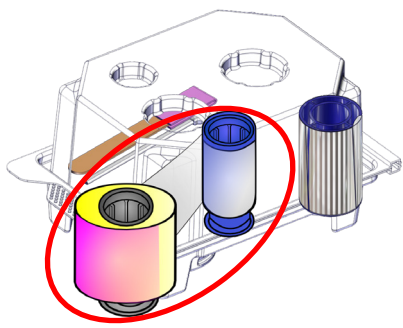
CR825 Instant Issuance System

6 Install the Ink Ribbon

a

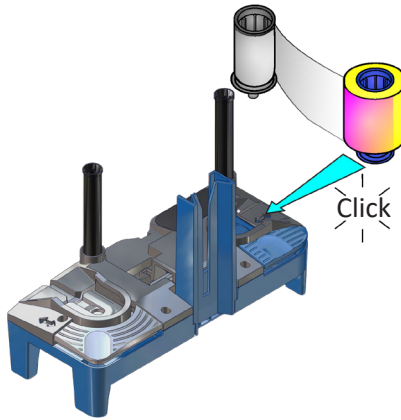


b

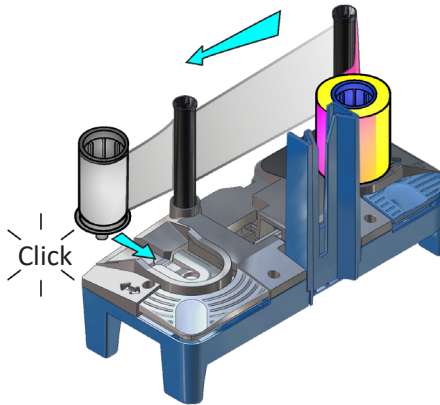


Install the Ink Ribbon (cont.)

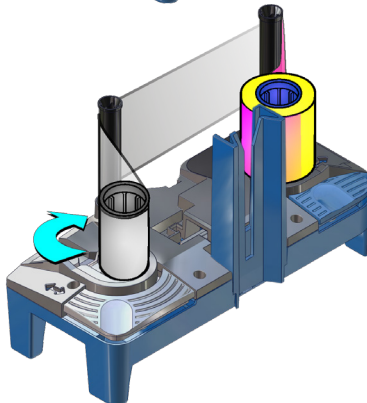
c



d



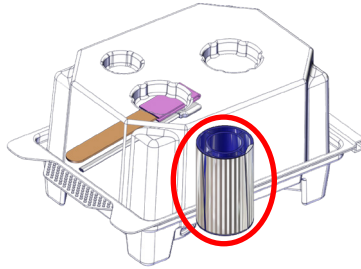
e



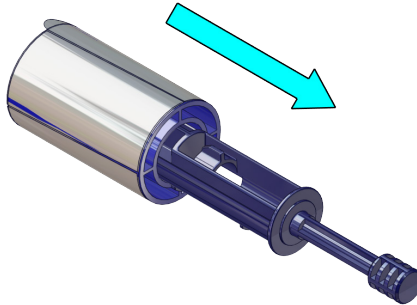
CR825 Instant Issuance System

7 Install the Cleaning Sleeve

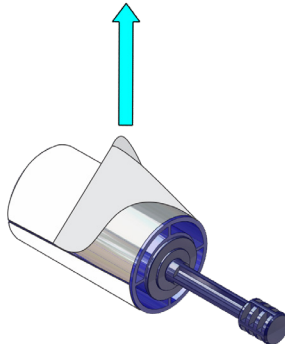
a



b

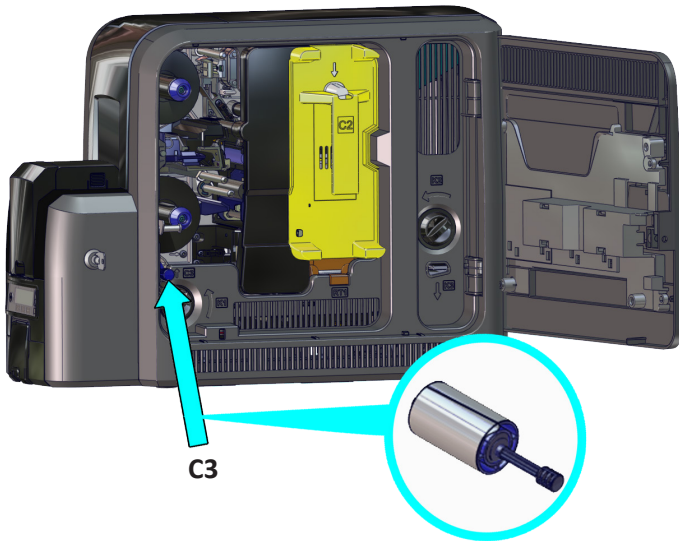


c

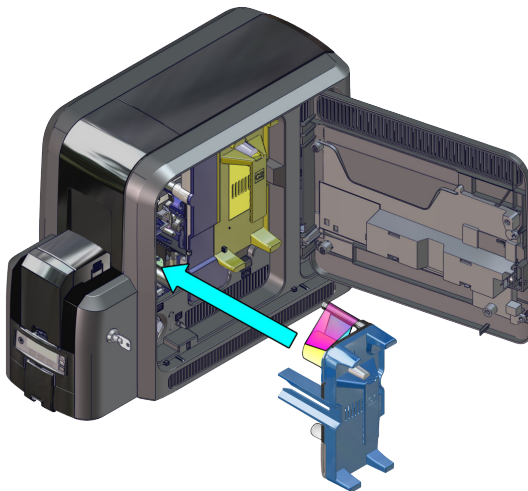


Install the Cleaning Sleeve (cont.)

d



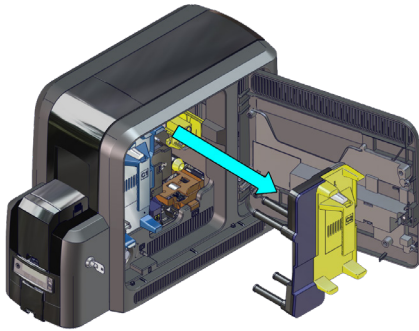
e



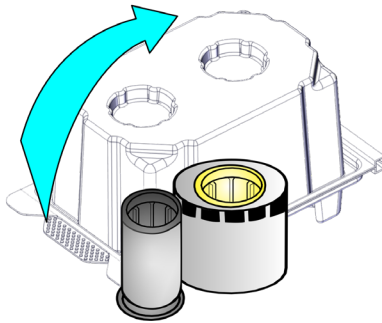
CR825 Instant Issuance System

8 Install the Retransfer Film

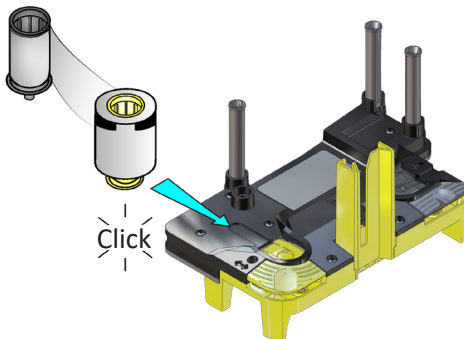
a



b

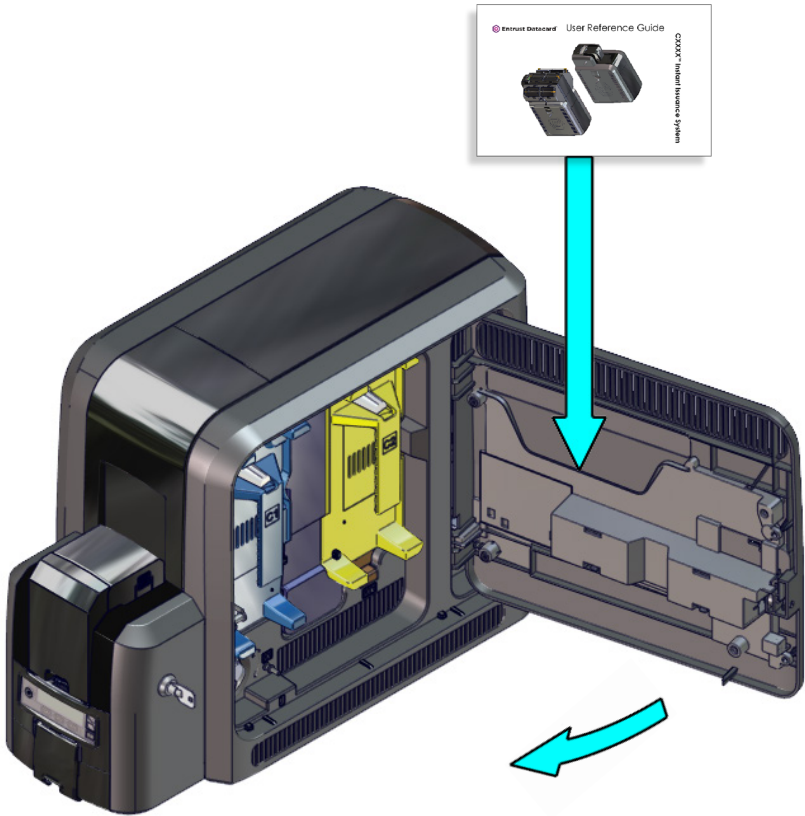


c



9

Store the User Reference Guide

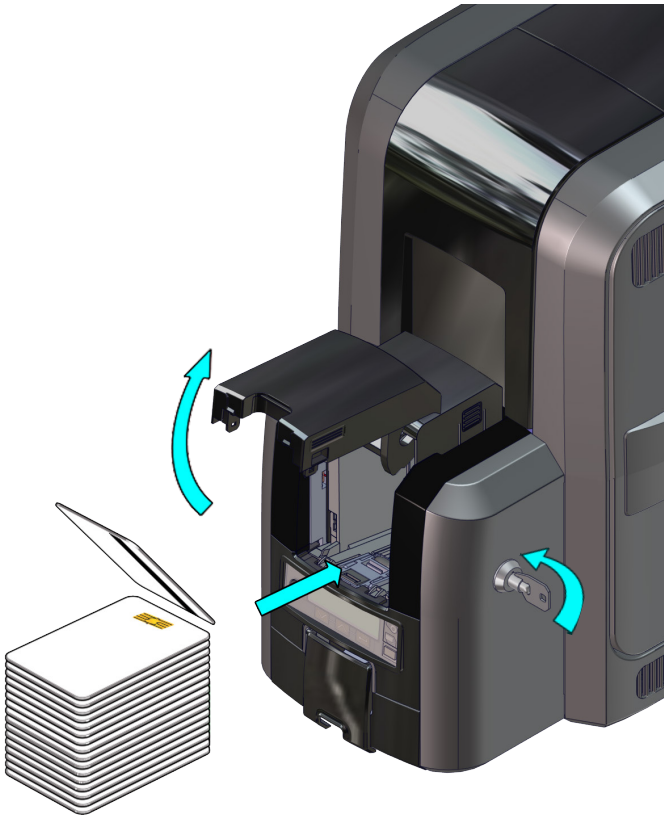


10 Load Cards

“Single-Hopper Printer”

“Multi-Hopper Printer” on page 18

Single-Hopper Printer

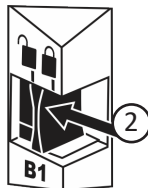
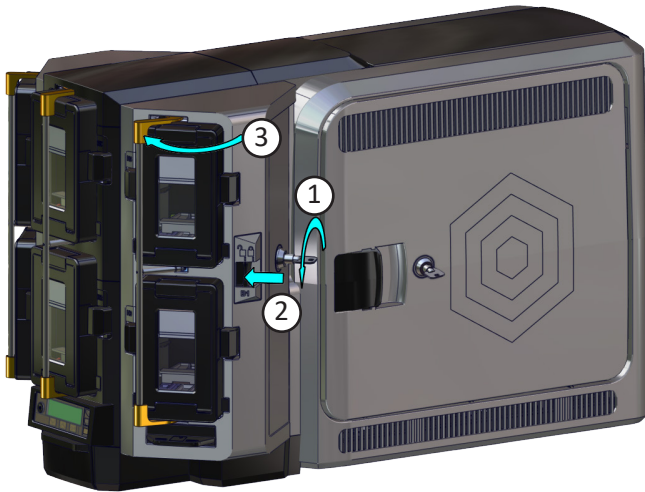


CR825 Instant Issuance System

Load Cards (cont.)

Multi-Hopper Printer

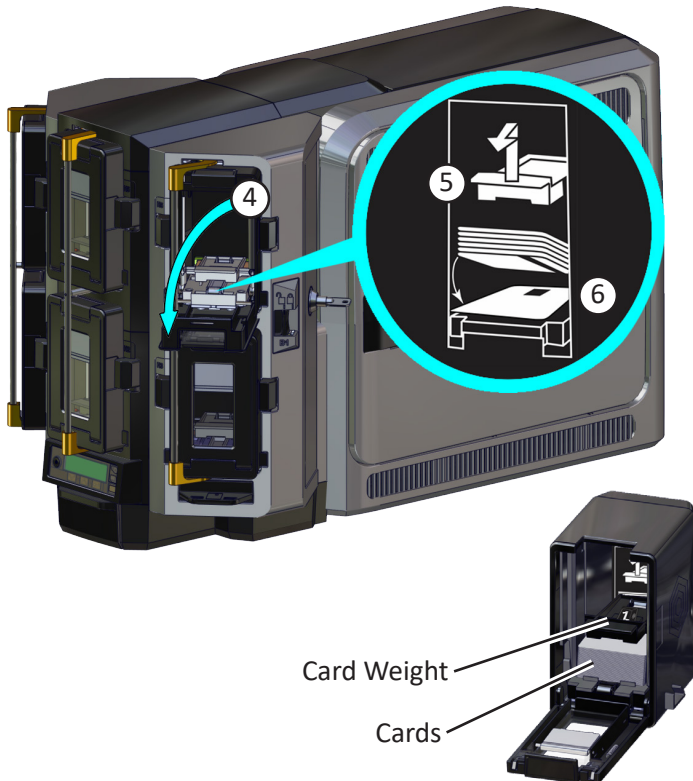
- a**
1. Unlock the multi-hopper lock.
 2. Slide the lock bar release button (B1) to the left.
 3. Rotate a lock bar to the left.



Load Cards (cont.)

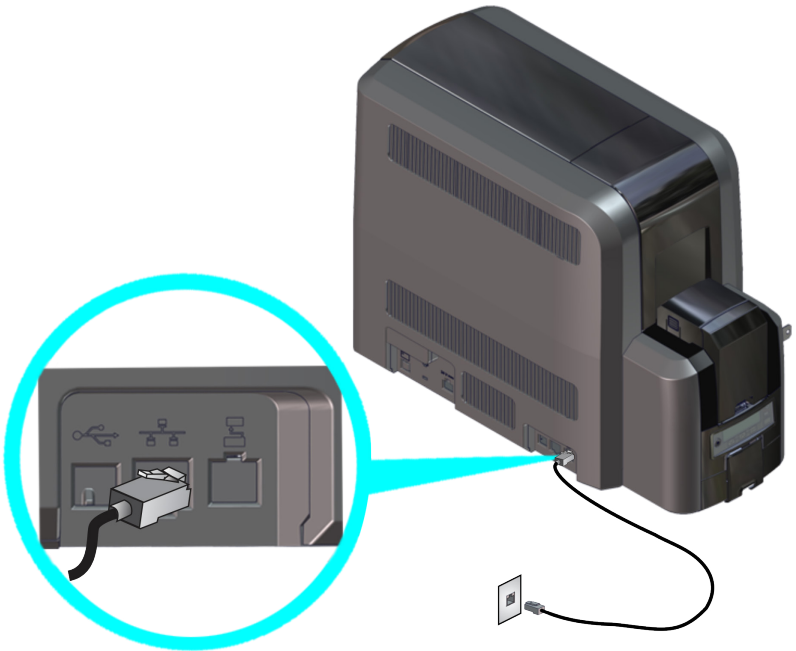
b

4. Press the cartridge release button at the top of the cartridge and open the cartridge door.
5. Lift the card weight to the top of the cartridge and pull it forward until it locks in position.
6. Load the cards into the cartridge.
7. Close the cartridge door to release the card weight so that it rests on top of the cards.



8. Repeat for each input hopper cartridge.
9. Return all locks to the locked position when finished.

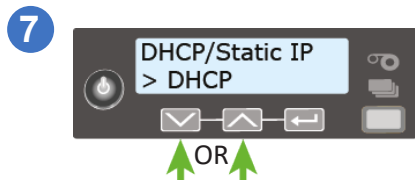
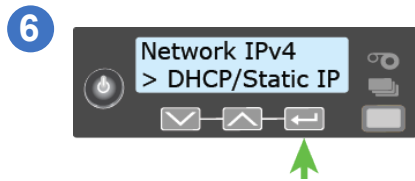
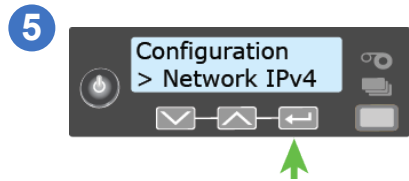
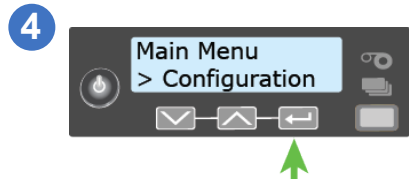
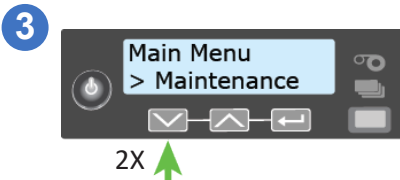
11 Connect the Network Data Cable



12 Set a Static IP Address

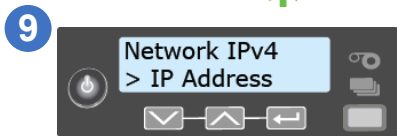
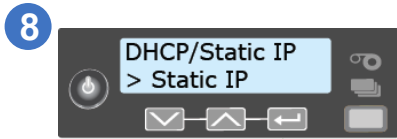
- a** IP Address _____
Subnet Mask _____
Gateway Address _____

b

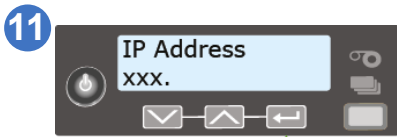


CR825 Instant Issuance System

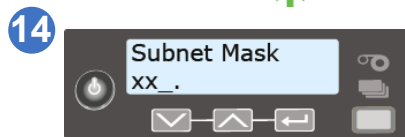
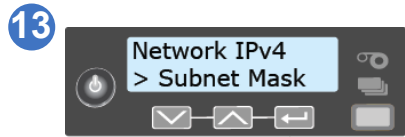
Set a Static IP Address (cont.)



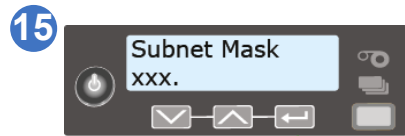
Press until correct digit displays



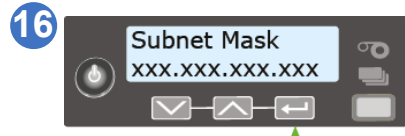
Repeat 10 & 11 for each section



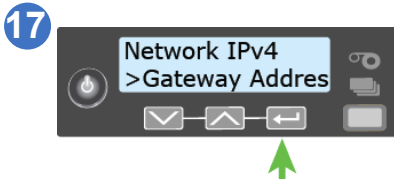
Press until correct digit displays



Repeat 14 & 15 for each section



Set a Static IP Address (cont.)

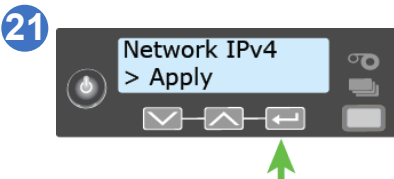


OR

Press until correct digit displays

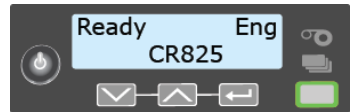
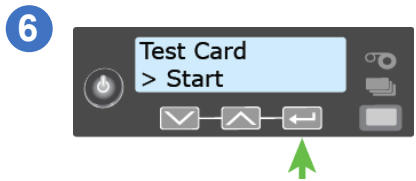
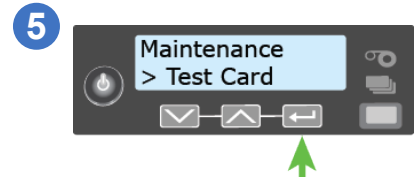
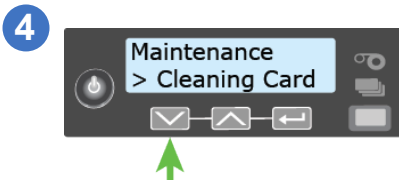
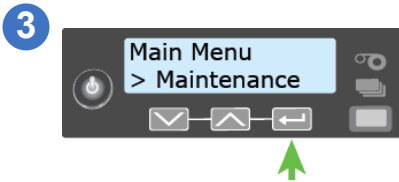
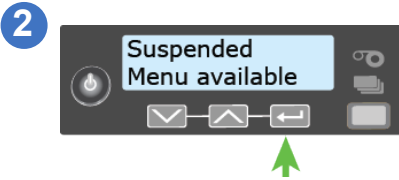


Repeat 18 & 19 for each section



Press the Power button to power off the printer. Restart the printer and verify that the static IP address is correct.

13 Print a Test Card (Optional)



14 Next Steps

- Refer to the printer's *Installation and Administrator's Guide* for complete installation instructions.
- Define the printer to Entrust® Adaptive Issuance™ Instant Financial Issuance (formerly CardWizard). Refer to the *Card Printers in Adaptive Issuance Instant Financial Issuance Software Setup Guide*.
- Refer to your Instant Financial Issuance documentation for complete information about using Instant Financial Issuance software.



ENTRUST

1187 Park Place

Minneapolis, Minnesota 55379

952.933.1223 • 952.933.7971 Fax

www.entrust.com

Entrust, Sigma and the hexagon design are trademarks, registered trademarks and/or service marks, and Datacard is a registered trademark and service mark, of the Entrust Corporation in the United States and other countries. All other trademarks are the property of their respective owners.

© 2016-2022. The design and information contained in these materials is protected by US and international copyright law.