



CLM Laminator Repackaging for Shipment

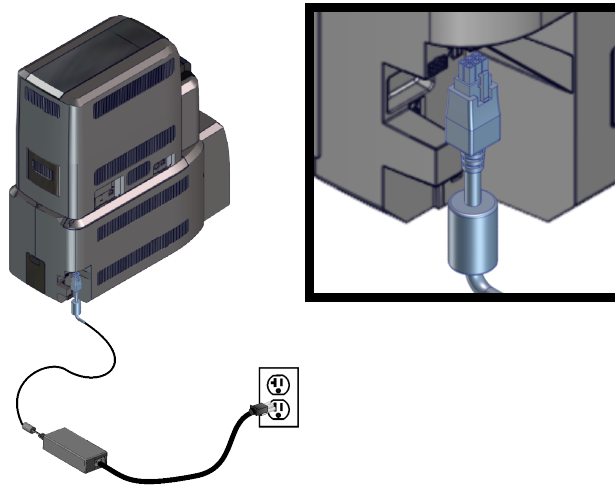
Use the following procedures to prepare the Entrust CLM Laminator for shipment.

1. Press the power button to power off the printer.

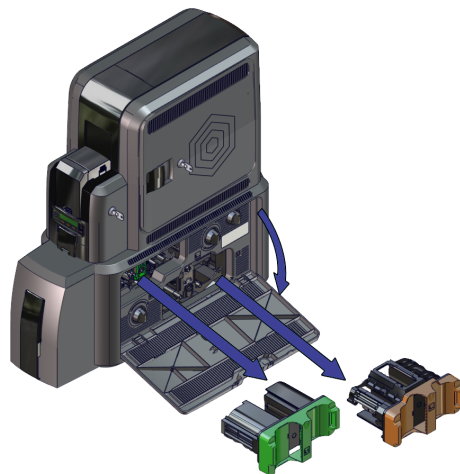


Caution: Wait until all the lights on the front panel are off to make sure that the printer power is off.

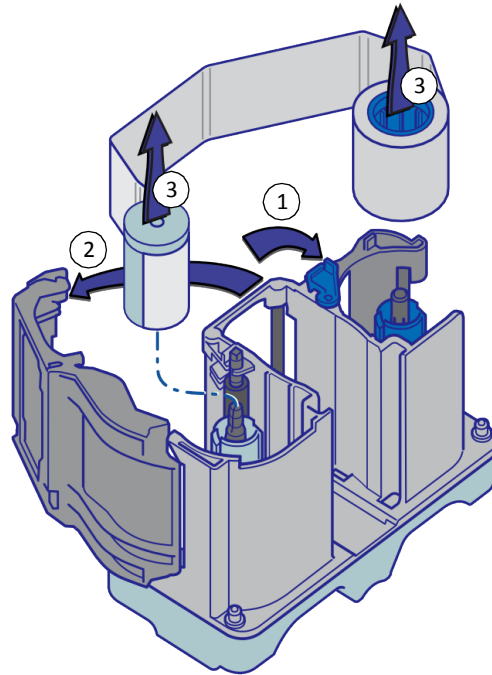
2. Unplug the power cord from the CLM Laminator (the cord is not required for shipment).



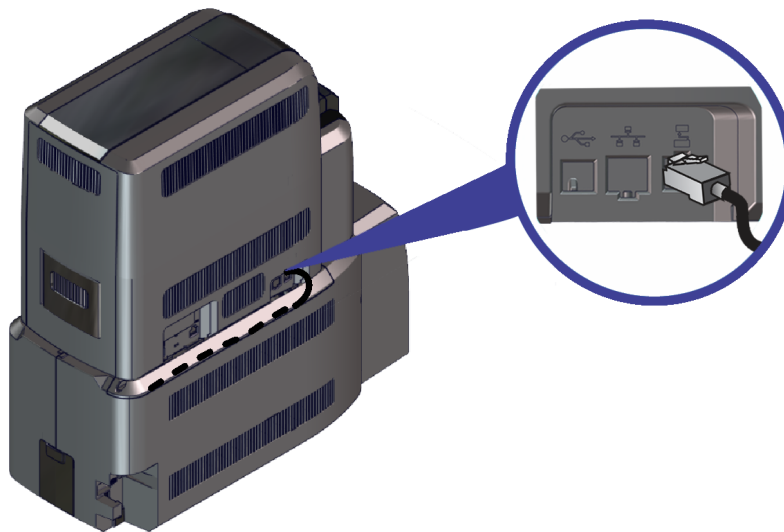
3. Remove the CLM Laminator supplies.
 - a. Unlock and open the laminator side access door.
 - b. Remove the overlay cartridge(s).



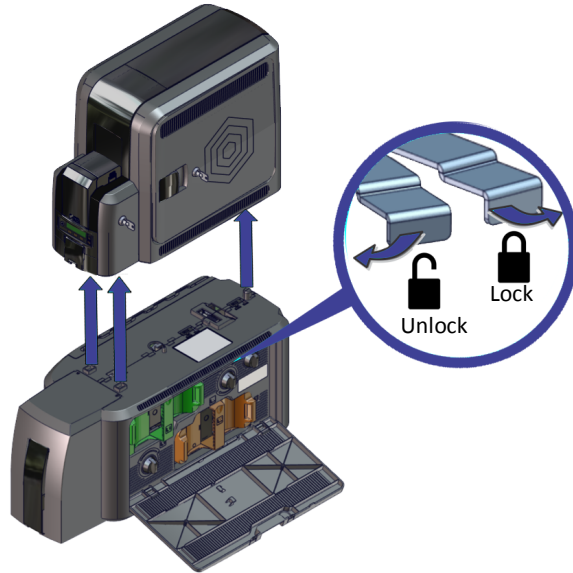
- c. Unload the overlay supply from the cartridge(s).



- d. Replace the overlay cartridge(s) in the laminator.
4. Remove the printer from the CLM Laminator.
 - a. Disconnect the data cable from the laminator to the printer.

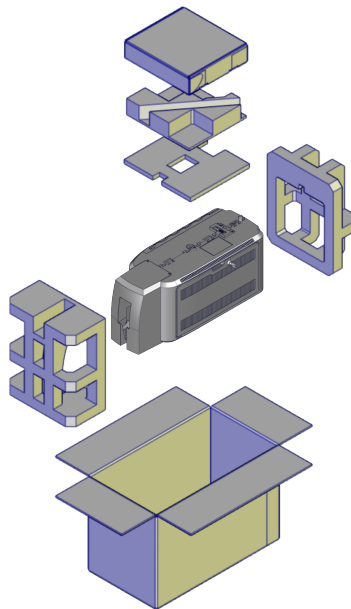


- b. Open the laminator access door and slide the printer locking lever in the laminator to the left position (unlocked).
- c. Lift the printer off of the laminator and place the printer in a stable position.



5. Pack the CLM Laminator.

- a. Place the foam caps on the front and back of the laminator and set it in the shipping carton.



- b. Secure the shipping carton with shipping tape.